

## ESP300 1–3 Axis Motion Controller/Driver

### Key Features

- 1–3 axes universal motion controller/driver
- Uses one driver module for stepper, DC open-loop and closed-loop motors at 3 A (max.) per axis
- ESP Stage compatible for “plug and play” capability
- 1000x programmable micro-step resolution for ultra-smooth low speed stepper positioning
- Synchronized circular/linear interpolation and continuous path contouring for complex motion profiling
- RS232-C communications link for easy computer interfacing
- Optional front panel, joystick, trackball, hand-held keypad, IEEE-488 interface, and rack mount



The alphanumeric keypad ESP-K allows the user to access the full command set without the use of a host computer. The digital joystick and trackball provide convenient manual jog control.



**The ESP300 motion control platform offers excellent functionality at an affordable price.** The ESP300 is an integrated controller and driver in one chassis which simplifies system hookup and provides improved reliability. The ESP300 can drive and control up to three axes of motion using any combination of DC and/or stepper motors. Each driver module will drive 2- or 4- phase stepper and brush DC servo motors at 3 A (max.) per axis. This capability will allow you to drive a large selection of stages and actuators.

### Technology

The ESP300 uses a 32-bit, floating point, DSP processor for high precision synchronized control. A digital PID-FF (feed-forward) servo loop ensures precise velocity profile tracking and accurate positioning. A 1000x programmable micro-step resolution provides ultra-smooth low-speed stepper positioning capability, and 18-bit DC motor command output ensures improved stability for precision applications.

### Motion

The ESP300 provides several modes of positioning including synchronized and non-synchronized point-to-point, jogging, linear or circular interpolation, and continuous path contouring. With electronic gearing, any axis of the ESP300 can be “slaved” to any other axis, even if they have different motor/gearhead ratios or lead screw pitches. Other sophisticated motion features include on-the-fly position, velocity, or trajectory changes for complex motion and alignment routines. Software limits can be set to improve systems safety. An advanced origin search routine includes encoder index pulse consideration for precision homing. Backlash and linear error compensation eliminate repeatable system errors.

### Inputs/Outputs

16 bi-directional digital I/O can be user programmed as either inputs or outputs for internal or external event synchronization. When configured as inputs, they

MANUAL LINEAR  
TRANSLATION STAGES

## ESP300 Compatible Linear Stages and Actuators



*VP-25XA Series*  
page 929



*VP-5ZA Series*  
page 934



*IMS Series*  
page 937

*Only IMS-PP*



*ILS Series*  
page 942



*MTM Series*  
page 946

*Except V6 versions*



*UTM Series*  
page 950

*Except V6 versions*



*MFA Series*  
page 954



*UZM Series*  
page 957

*Except V6 versions*



*VP-25AA Series*  
page 1005



*CMA Series<sup>(1)</sup>*  
page 1016



*LTA Series*  
page 1010

Note 1:

For CMACC operation, adaptor P/N ESP300-CMACC is needed to connect to the controller. To initiate jog motion via the ESP300 front panel, please see support.newport.com

MANUAL ROTATION  
STAGES

MANUAL ACTUATORS

MOTORIZED LINEAR  
TRANSLATION STAGES

MOTORIZED ROTATION  
STAGES

MOTORIZED ACTUATORS

CONTROLLERS &  
AMPLIFIERS

TECHNICAL REFERENCE

can be used to execute a program or to stop a motion. When configured as outputs, they can monitor the status of a motion to provide a hardware interface for external equipment. An additional watchdog timer and remote interlock are supplied as an invaluable safety feature.

### Programming

The ESP300 makes programming complex motions easy using a powerful programming language with over 100 commands. Each ESP300 features a standard RS-232-C communication link for easy computer interfacing. An optional IEEE-488 (GPIB) interface is available for high speed parallel communication. 64kB Flash non-volatile user program memory allows for storage of to 100 user-defined programs for computer independent usage. A complete library of LabVIEW™ drivers covering all ESP300 commands and communication DLL's for all most popular Windows versions are available and get constantly updated through our website at www.newport.com. Powerful software utilities reduce start-up time and support application development.

### Auto-Configuration

When used with ESP compatible motion devices, the ESP300 motion controller will automatically configure itself providing true plug-and-play compatibility. PID parameters, motor types and gear ratios are automatically set for you at power up—there are no PID or gear factors to set. The ESP300 can also be configured to operate non-Newport stages that fit within driver module specifications.

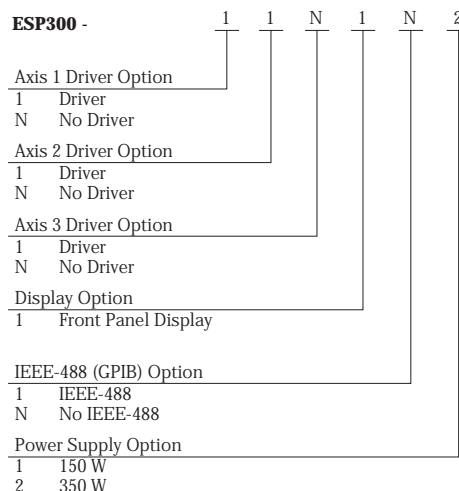
### Options

ESP300 options include a user-friendly front panel interface providing an intuitive menu system from which you can execute motion programs, initiate manual moves, and configure operating parameters. A hand-held keypad allows local programming and a digital joystick or trackball can provide convenient jog control.

## Ordering Information

The ESP300 part number is configured as follows:

### Example



## ESP300 Compatible Rotary Stages



*RV Series*  
page 973

*Except V6 versions*



*URM Series*  
page 985

*Except V6 versions*



*URS Series*  
page 981



*SR50 Series*  
page 990



*PR50 Series*  
page 992



*BGM Series*  
page 995

*Except V6 versions*

## Accessories

| Model        | Description                    |
|--------------|--------------------------------|
| ESP300-R     | 19 in. Rack Mount Brackets     |
| ESP-K        | Hand-held Keypad               |
| ESP300-J     | Joystick (digital switchstick) |
| ESP300-T     | Trackball (digital)            |
| ESP300-CMACC | Cable Adapter for CMACC        |



## How to Order

The ESP300 is configured by first specifying driver options for each axis. Next, options are chosen for the front panel, communications interface, and power supply. The example here specifies a ESP300 configured with a front panel display, drivers for 2 axes, and a 350 W power supply. No other options are selected.

A passthrough board is available to connect to an external amplifier. If interested, please contact our technical support group.

**NOTE:** Please refer to the max. motor driver power consumption table ([T-727475]) when configuring your system. The total power consumption of all stages must be smaller than the available drive power of the ESP300 (150 W or 350 W) in order to operate all stages simultaneously and at maximum speed.

## Specifications

|                                |   |
|--------------------------------|---|
| Number of Axes                 | 1–3 axes of any combination of stepper and DC motors  |
| Computing Power                | 400 $\mu$ s servo cycle up to 3 axes<br>32 Bit, 60 MHz DSP processor<br>Digital PID servo loop with velocity and acceleration feed forward  |
| Motion                         | Trapezoidal and s-curve velocity profile<br>Synchronized and non-synchronized point-to-point<br>Jogging, Continuous moves<br>3D Linear interpolation, 2D Circular Interpolation<br>Master-slave, Electronic gearing<br>On-the-fly trajectory modification, changes of target position, speed, acceleration, PID |
| Contouring                     | 2D Contouring with continuous buffer loading  |
| External Event Synchronization | Program execution depending on TTL I/O status   |
| Operating Modes                | Real-time command execution via computer interfaces<br>Stand-alone execution of stored programs<br>Front panel manual motion command execution (optional)<br>Digital joystick, trackball, hand-held keypad (all optional)   |
| Programming                    | 100+ intuitive, 2 letter ASCII commands<br>Command set includes: User defined units, software limits, home search (with and w/o top zero), linear error and backlash compensation, etc.   |
| Software Drivers               | Communication DLL for Windows 95/98/2000/NT/ME/XP<br>Drivers for LabView 6i<br>Software development tools compatible with Windows 95/98/2000/NT/ME: Setup, PID tuning program, Motion Wizard (used to configure non-ESP compatible stages)  |
| Computer Interfaces            | RS-232-C, IEEE-488-1 (optional)   |
| I/O                            | 16 user programmable TTL I/O (programmed in groups of 8)<br>"Watchdog" timer and remote interlock   |
| Memory                         | 64 kB Flash non-volatile user program memory (last for approx. 6,000 commands)<br>512 kB Flash non-volatile firmware memory   |
| Front Panel Display (Optional) | Backlit LCD display, 4 lines x 20 characters, 21 mm x 70 mm   |
| DC Motor Control               | DC brush motors at 48 V, 3 A max.<br>Open- or closed-loop operation<br>18-bit DAC resolution<br>5 MHz max. encoder input frequency  |
| Stepper Motor Control          | 2 or 4-phase stepper motors at 48 V, 3 A max.<br>Open- or closed-loop operation<br>10 kHz commutation rate<br>1000x max. (programmable) micro-step resolution   |
| Total Available Motor Power    | 150 W or 350 W, 48 V, 3 A max per axis  |
| Power Requirements             | 115/230 V, 50/60 Hz auto-select, 400 W (max.)   |
| Dimensions (W x D x H)         | 16.5 x 12 x 3.25 in. (+0.5 in. bottom clearance) (419 x 305 x 83 mm) for 150 W power supply option; 16.5 x 13.5 x 3.25 in. (+0.5 in. bottom clearance) (419 x 343 x 83 mm) for 400 W power supply option  |
| Weight                         | 6 kg max for 150 W power supply option<br>8 kg max for 350 W power supply option  |